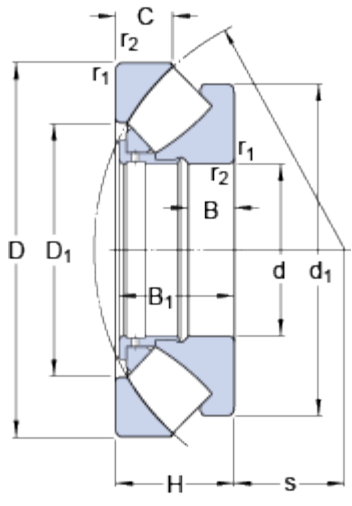




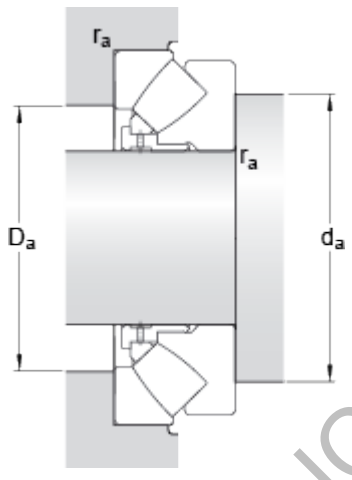
# 29248 E

## Dimensions



$d$	240	mm
$D$	340	mm
$H$	60	mm
$d_1$	≈ 330	mm
$D_1$	≈ 283	mm
$B$	19	mm
$B_1$	57	mm
$C$	30	mm
$s$	130	mm
$r_{1,2}$	min. 2.1	mm

## Abutment dimensions



$d_a$	min. 290	mm
$D_a$	max. 308	mm
$r_a$	max. 2	mm

## Calculation data

Basic dynamic load rating	$C$	799	kN
Basic static load rating	$C_0$	3450	kN
Fatigue load limit	$P_u$	335	kN
Reference speed		1100	r/min
Limiting speed		1800	r/min
Minimum axial load factor	$A$	1.1	

## Mass

Mass bearing		16.5	kg
--------------	--	------	----